

## 2711 Monobolt

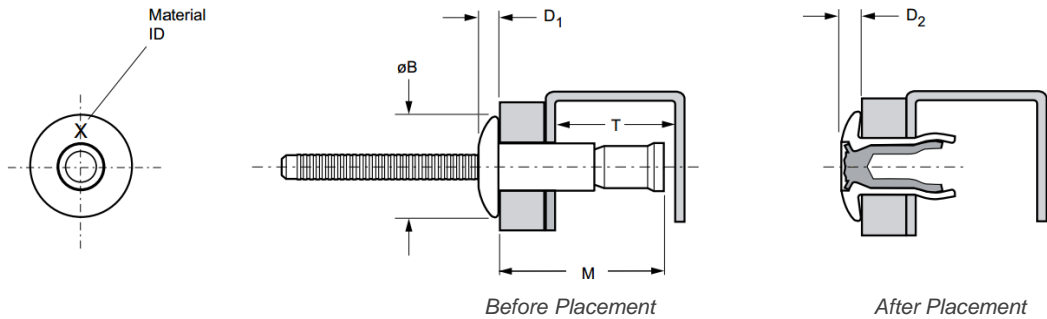
Dome head · Stainless steel 304 body · Stainless steel 304 stem · Multi-grip  
4.8 mm (3/16") - 10.0 mm (3/8")

### Features

- Multi-grip structural breakstem fastener
- Fully sealed joint and visible lock for quick and easy inspection
- Excellent hole fill via radially expanded body provides very strong, vibration resistant joints and compensates for irregular, oversized, slotted or misaligned holes
- Good sheet take-up performance for large gap closing capability
- Stem mechanically locked into body avoids damage, electrical problems or rattling caused by loose stems
- High shear and tensile strength

### Material

- Body: Stainless steel 304, natural
- Stem: Stainless steel 304, natural



Part No.	Size ø	Grip Range		Hole Size		M	øB	D <sub>1</sub>	T	D <sub>2</sub>	Shear (typical) kN	Tension (typical) kN
		nom.	min.	max.	min.							
02711-00613	4.8 (3/16")	1.63	6.86	4.9	5.1	18.2	10.1	2.1	10.5	1.9	6.44	5.11
02711-00617		1.63	11.10			24.5			13.5			
02711-00817	6.4 (1/4")	2.03	9.53	6.6	7.0	23.7	13.4	2.9	12.2	2.7	11.78	10.45
02711-00824		2.03	15.87			33.0			16.4			
02711-01228	10.0 (3/8")	3.04	15.87	9.95	10.4	36.2	20.3	4.1	22.3	4.0	26.08	19.40



### Can't find what you are looking for?

We can provide customized finishing and colouring.  
Contact your nearest [Gripwell](#) team for assistance!